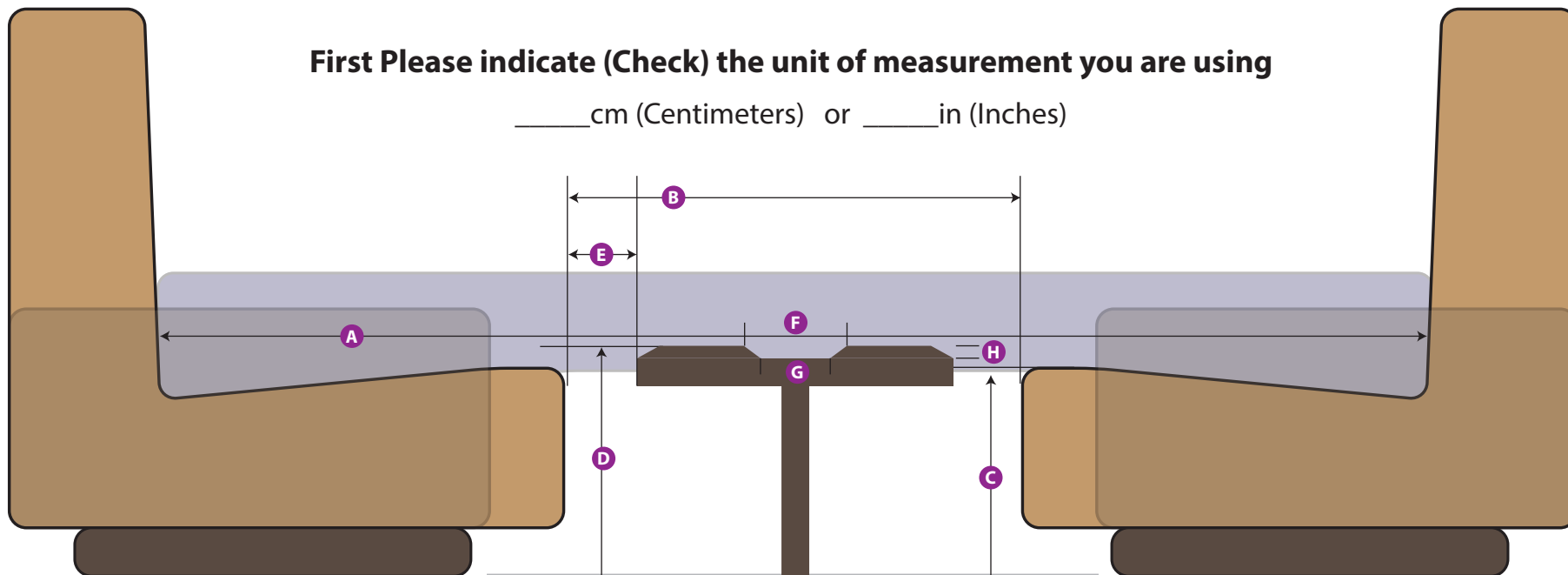


Dual Seat Dinette

Step 1

FOR BEST RESULTS, please upload a picture of your seat



First Please indicate (Check) the unit of measurement you are using

_____cm (Centimeters) or _____in (Inches)

- A- Measure from inside edge of one seat to the other, this will give us the length of the seat
- B- Measure the inside dimensions between the 2 seats
- C- Measure the height from the floor to the top edge of the seat
- D- Measure the height from the floor to the top of the table
- E- Measure the gap between the seat and the table
- F- Measure the gap between the table fold (Top Level Area)
- G- Measure the gap between the table fold (Bottom Level Area)
- H- Measure the elevation of the fold

A _____

B _____

C _____

D _____

E _____

F _____

G _____

H _____

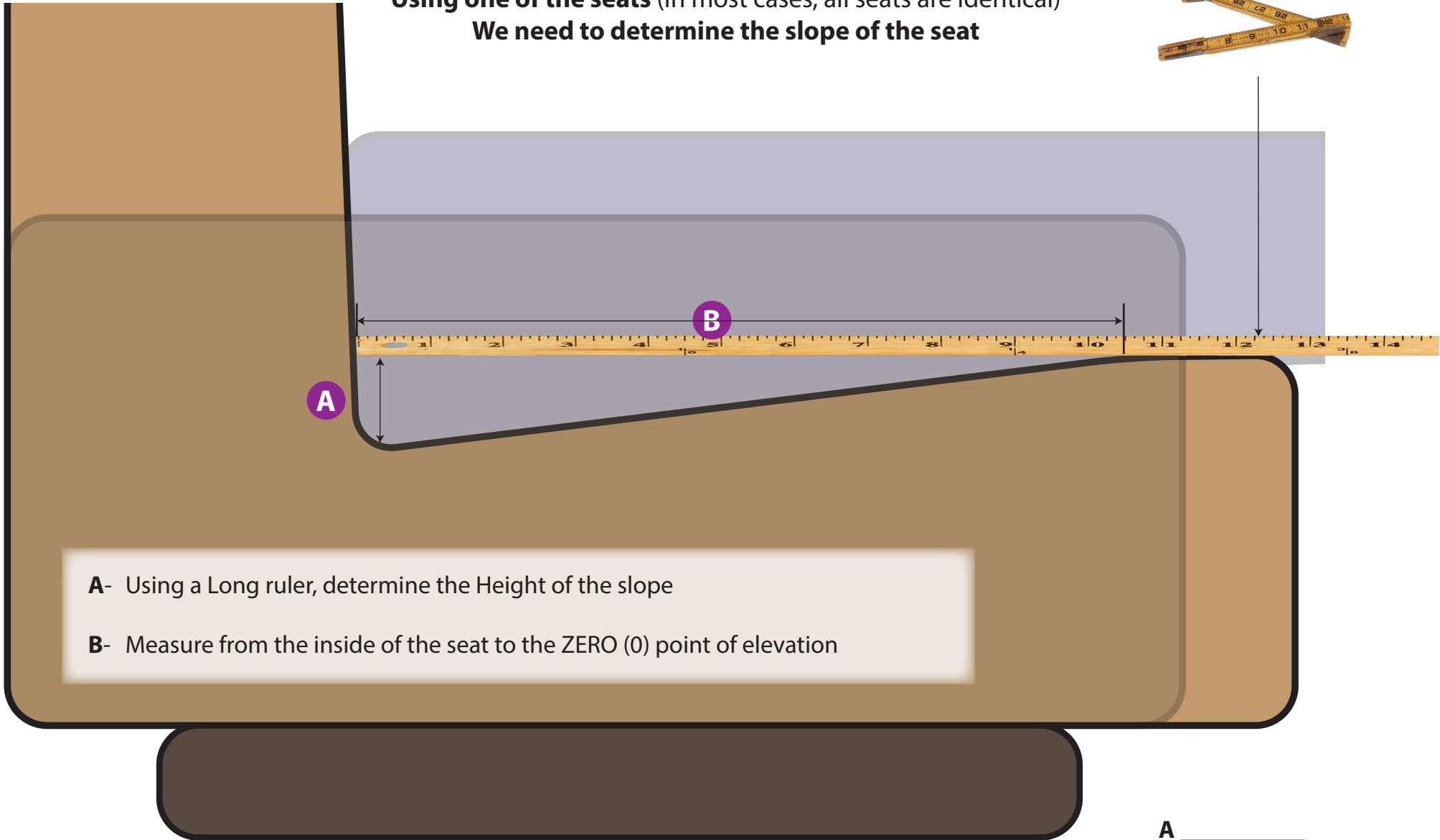
Step 2

Dual Seat Dinette

yard/measurement stick



Using one of the seats (in most cases, all seats are identical)
We need to determine the slope of the seat



A- Using a Long ruler, determine the Height of the slope

B- Measure from the inside of the seat to the ZERO (0) point of elevation

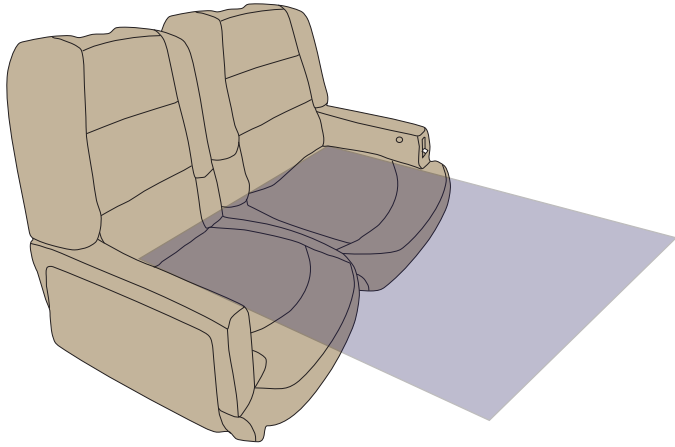
A _____

B _____

Step 3

Dual Seat Dinette

Determine the shape of Bed you desire and fill in the measurements as per example



Please fill in the information for each side

