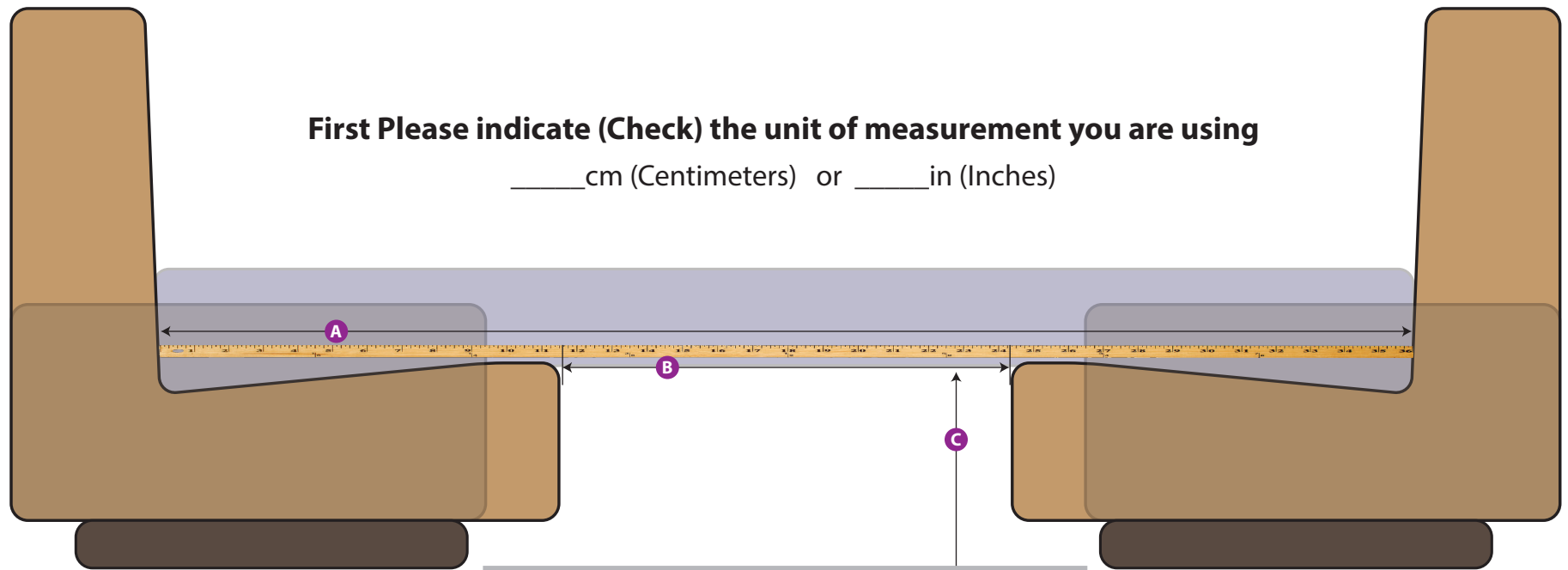


Step 1

Single Seat with Pop-Up Mechanism

FOR BEST RESULTS, please upload a picture of your seat



First Please indicate (Check) the unit of measurement you are using

_____cm (Centimeters) or _____in (Inches)

A- Measure from inside edge of one seat to the other, this will give us the length of the seat

B- Measure the inside dimensions between the 2 seats

C- Measure the height from the floor to the edge of the seat

A _____

B _____

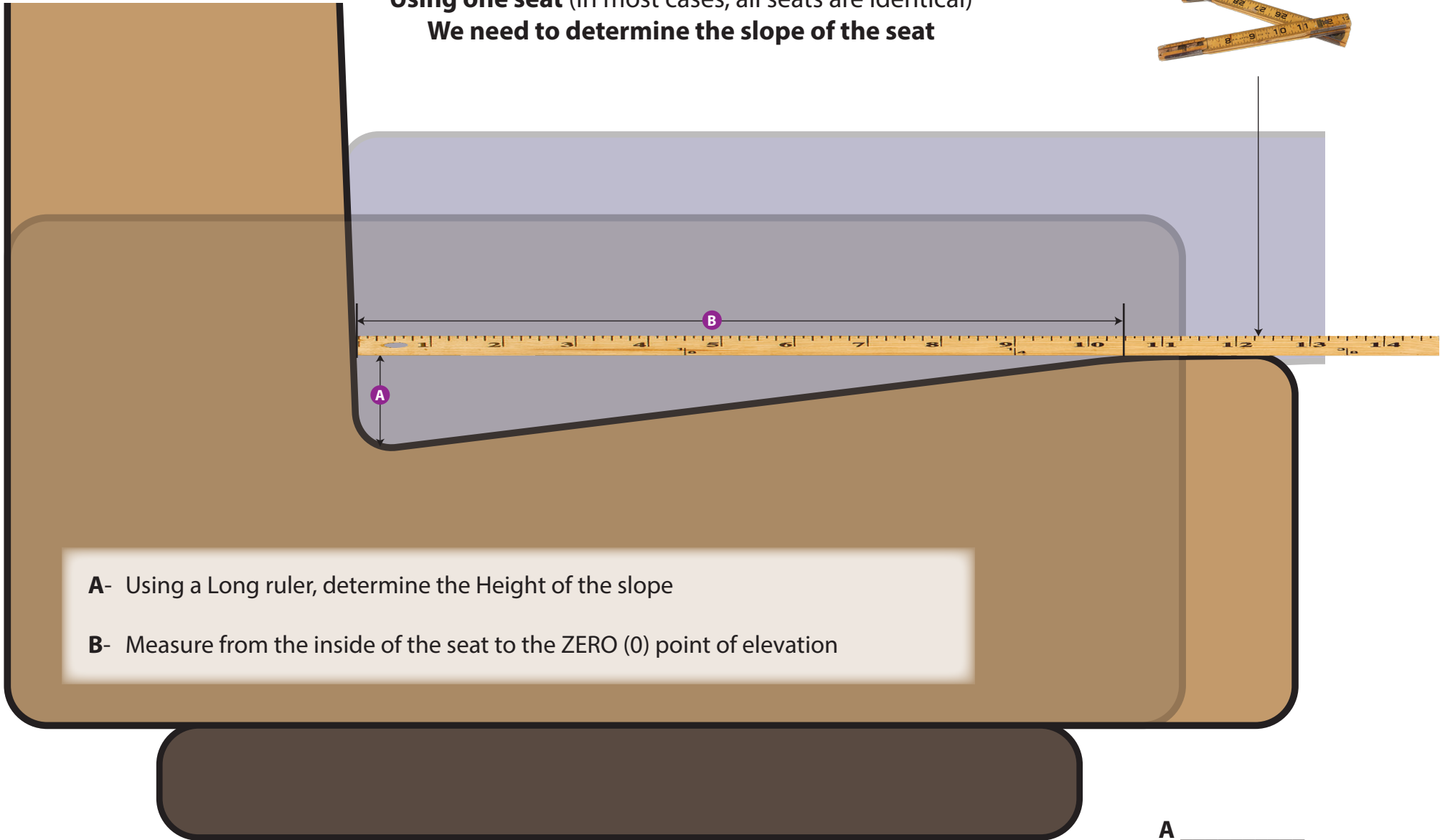
C _____

Step 2

Single Seat with Pop-Up Mechanism

yard/measurement stick

Using **one seat** (in most cases, all seats are identical)
We need to determine the slope of the seat



A- Using a Long ruler, determine the Height of the slope

B- Measure from the inside of the seat to the ZERO (0) point of elevation

A _____

B _____

Step 3

Single Seat with Pop-Up Mechanism

Determine the shape of Bed you desire and fill in the measurements as per example

